

FEATURES

- The diaphragm pulse valves are especially designed for dust collector service applications, combining high flow, long life and extremely fast opening and closing to produce reliable and economical operation
- The high flow, angle type bodies, springless construction, in combination with the special diaphragm assemblies give the unique operating features required for dust collector service applications
- Integral compression fittings for fast, easy, secure installation
- Built-in silencers reduce noise and prevent foreign particles from entering the valve
- The integral operators are provided with epoxy moulded F-class coils. Various optional waterproof and explosionproof solenoids for use in potentially explosive atmospheres (gas & dust) according to Directive ATEX 94/9/EC can be mounted on the same basic valve (see pages 49 to 57)
- The valves satisfy all relevant EC directives

GENERAL

Differential pressure (PS) 0,35 - 8,5 bar [1 bar = 100kPa]
Ambient temperature range -20 to +85°C

fluids (*)	temperature range (TS)	diaphragm (*)
air	-20 to +85 °C	TPE

MATERIALS IN CONTACT WITH FLUID

(*) Ensure that the compatibility of the fluids in contact with the materials is verified

Body Aluminium / Stainless steel 316L
Core tube Stainless steel
Core and plugnut Stainless steel
Core spring Stainless steel
Sealings & disc NBR (nitrile)
Diaphragm TPE (thermoplastic polyester elastomer)
Shading coil Copper
Coil insulation class F
Connector Spade plug (cable Ø 6 - 10 mm)
Connector specification ISO 4400
Electrical safety IEC 335

ELECTRICAL CHARACTERISTICS

Standard voltages DC (=): 24V
 (Other voltages and 60 Hz on request) AC (~): 24V - 115V - 230V / 50 Hz

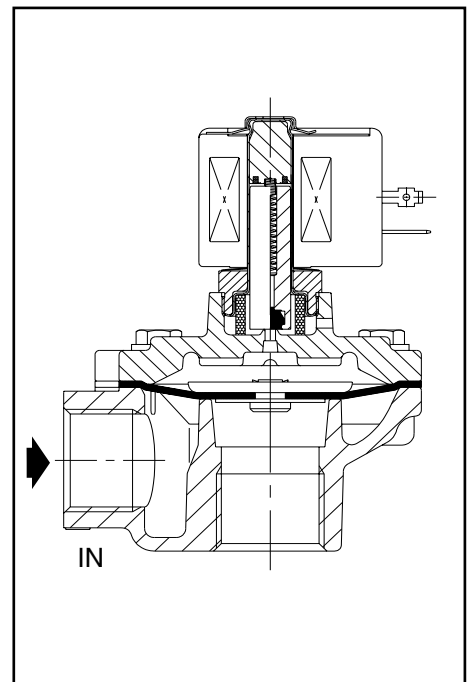
coil type	nominal power ratings				operator temperature range (TS) (°C)	protection
	inrush	holding		hot/cold		
	~ (VA)	~ (VA)	(W)	= (W)		
CM6-FT	34	15,6	6	-	-20 to +85	IP65/IP67
CM6-FT (1)	-	-	-	14 / 20,8		IP65/IP67
CMXX-FT	55	23	10,5	-		ATEX-NF
CMXX-FF	-	-	-	14 / 19,7		ATEX-NF

(1) Intermittent duty, Relative Duty Time is 10%. Max. on time is 1 min.

SPECIFICATIONS

pipe size	orifice size	flow coefficient Kv		operating pressure differential (bar)		prefix optional solenoids					catalogue number		FPM
				min.	max. (PS)						aluminium	stainless steel 316L	
					air (*)	ATEX							
G	(mm)	(m³/h)	(l/min)			SC	WP	SCDU	WP(T)DU	NF			
G - Threaded pipe connection													
3/4	24	14	233	0,35	8,5	●	●	●	●	●	G353A043	G353A132	V
1	27	17	283			G353A044	G353A133	V					
Ø - Compression fitting pipe connection													
3/4	24	14	233	0,35	8,5	●	●	●	●	●	G353-052	-	V
1	27	17	283			G353-053	-	V					

● : Available feature



OPTIONS

- Waterproof enclosure with embedded screw terminal coil according to protection class IP67, CEE 10
- Explosionproof solenoids for hazardous locations according to ATEX and national standards
- **IECEX** certification
- Compliance with “**UL**” standards
- Plug with visual indication and/or peak voltage suppression
- Electronic timer
- Valves can also be supplied with FPM (fluoroelastomer) diaphragms and seals. Use the appropriate optional suffix letter for identification

INSTALLATION

- The valves can be mounted in any position without affecting operation
- Threaded pipe connection is G (ISO 228/1) or compression fitting
- For compression fitting types tightness is achieved by the compressed gasket on the blow tube
- The use of the rubber gaskets as sealing members will allow a slight misalignment in piping when using compression fittings
- Other pipe threads are available on request
- Installation/maintenance instructions are included with each valve
- Spare parts kits and replacement coils are available

DIMENSIONS (mm), WEIGHT (kg)

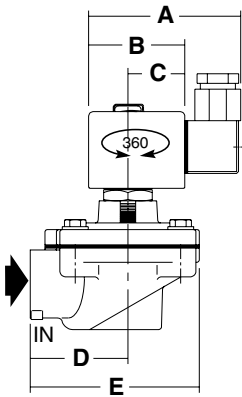


Fig. 1: Threaded pipe connection - aluminium

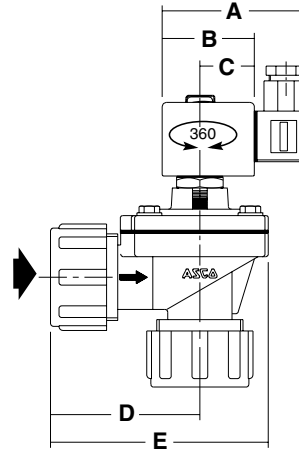
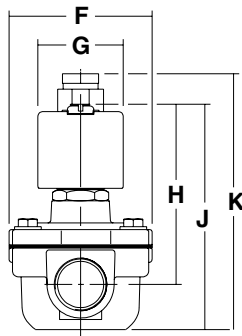


Fig. 2: Compression type fitting - aluminium

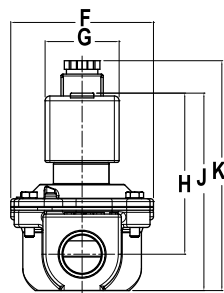
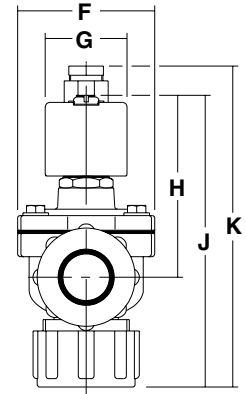
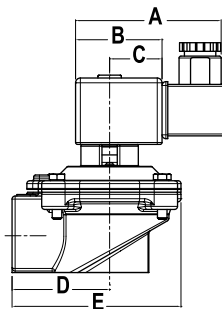


Fig. 3: Threaded pipe connection - stainless steel

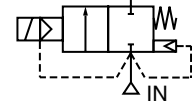


catalogue number	A	B	C	D	E	F	G	H	J	K	weight (1)	(C)
SC(DU)G353A043	75	45	27	51	89	75	39	92	113	130	0,70	Fig. 1
SC(DU)G353A044	75	45	27	51	89	75	39	92	113	130	0,65	Fig. 1
SC(DU)G353-052	75	45	27	81	125	75	39	92	175	195	0,85	Fig. 2
SC(DU)G353-053	75	45	27	81	125	75	39	92	175	195	0,90	Fig. 2
SC(DU)G353A132	75	45	27	51	89	75	39	92	113	130	1,30	Fig. 3
SC(DU)G353A133	75	45	27	51	89	75	39	92	113	130	1,20	Fig. 3

(1) Incl. coil and connector

(C) Construction type

All leaflets are available on: www.asconumatics.eu



FEATURES

- The diaphragm pulse valves are especially designed for dust collector service applications, combining high flow, long life and extremely fast opening and closing to produce reliable and economical operation
- Integral compression fittings for fast, easy, secure installation
- The high quality diaphragms are reinforced and wear resistant to guarantee a long operating life, even under harsh conditions
- The integral operators are provided with epoxy moulded F-class coils. Various optional waterproof and explosionproof solenoids for use in potentially explosive atmospheres (gas & dust) according to Directive ATEX 94/9/EC can be mounted on the same basic valve (see pages 49 to 57)
- The valves satisfy all relevant EC directives

GENERAL

Differential pressure (PS) 0,35 - 8,5 bar [1 bar = 100kPa]
Ambient temperature range -20 to +85°C

fluids (*)	temperature range (TS)	diaphragm (*)
Luft	-20 to +85 °C	CR

MATERIALS IN CONTACT WITH FLUID

(*) Ensure that the compatibility of the fluids in contact with the materials is verified

Body Aluminium / Stainless steel 316L
Core tube Stainless steel
Core and plugnut Stainless steel
Core spring Stainless steel
Sealings & disc NBR (nitrile)
Diaphragm CR (chloroprene)
Shading coil Copper
Coil insulation class F
Connector Spade plug (cable Ø 6 - 10 mm)
Connector specification ISO 4400
Electrical safety IEC 335

ELECTRICAL CHARACTERISTICS

Standard voltages DC (=): 24V
(Other voltages and 60 Hz on request) AC (~): 24V - 115V - 230V / 50 Hz

coil type	nominal power ratings				operator temperature range (TS) (°C)	protection
	inrush	holding		hot/cold		
	~	~	=	=		
	(VA)	(VA)	(W)	(W)		
CM6-FT	34	15,6	6	-	-20 to +85	IP65/IP67
CM6-FT ⁽¹⁾	-	-	-	14 / 20,8		IP65/IP67
CMXX-FT	55	23	10,5	-		ATEX-NF
CMXX-FF	-	-	-	14 / 19,7		ATEX-NF

(1) Intermittent duty, Relative Duty Time is 10%. Max. on time is 1 min.

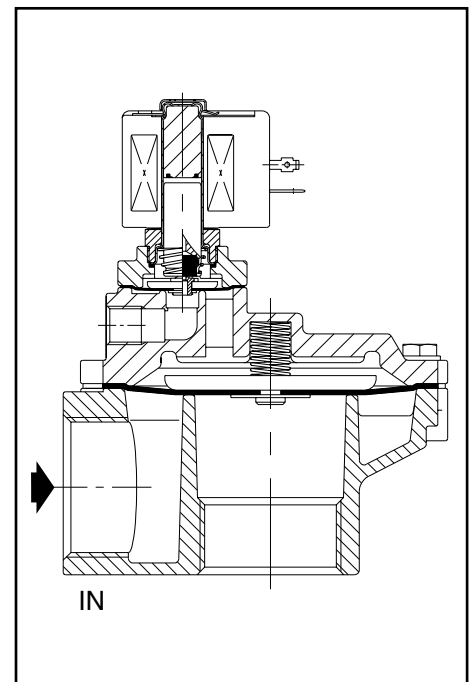
SPECIFICATIONS

pipe size	orifice size	flow coefficient Kv		operating pressure differential (bar)		prefix optional solenoids					catalogue number		FPM
				min.	max. (PS)	ATEX					aluminium	stainless steel 316L	
						air (*)							
G	(mm)	(m³/h)	(l/min)		~/=	SC	WP	SCDU	WP(T)DU	NF			
G - Threaded pipe connection													
1 1/2	52	44	733	0,35	8,5	●	●	●	●	●	G353A047	G353A134 ⁽¹⁾	V
2	66	77	1290	0,35	8,5	●	●	●	●	●	G353A050	-	V
2 1/2	66	92	1540	0,35	8,5	●	●	●	●	●	G353A051	-	V
3	76	170	2833	1	6	●	●	●	●	●	G353.060 ⁽¹⁾	-	V
Ø - Compression fitting pipe connection													
1 1/2	52	44	733	0,35	8,5	●	●	●	●	●	G353A065 ⁽²⁾	-	V

● : Available feature

(1) Contains spring above the main diaphragm

(2) Threaded pipe connection is external (male thread)



DP14241GB-2012/R01 Availability, design and specifications are subject to change without notice. All rights reserved.

OPTIONS

- Waterproof enclosure with embedded screw terminal coil according to protection class IP67, CEE 10
- Explosionproof solenoids for hazardous locations according to ATEX and national standards
- **IECEX** certification
- Hose connection executions (3" only)
- Compliance with "UL" standards
- Plug with visual indication and/or peak voltage suppression
- Electronic timer
- Valves can also be supplied with FPM (fluoroelastomer) diaphragms and seals. Use the appropriate optional suffix letter for identification

INSTALLATION

- The valves can be mounted in any position without affecting operation
- Threaded pipe connection is G (ISO 228/1) or compression fitting
- For compression fitting types tightness is achieved by the compressed gasket on the blow tube
- The use of the rubber gaskets as sealing members will allow a slight misalignment in piping when using compression fittings
- Other pipe threads are available on request
- Installation/maintenance instructions are included with each valve
- Spare parts kits and replacement coils are available

DIMENSIONS (mm), WEIGHT (kg)

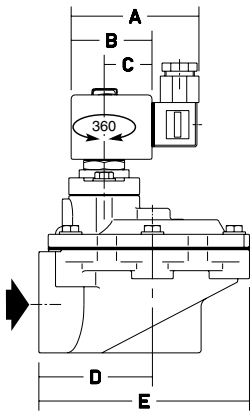


Fig. 1: Threaded pipe connection - aluminium

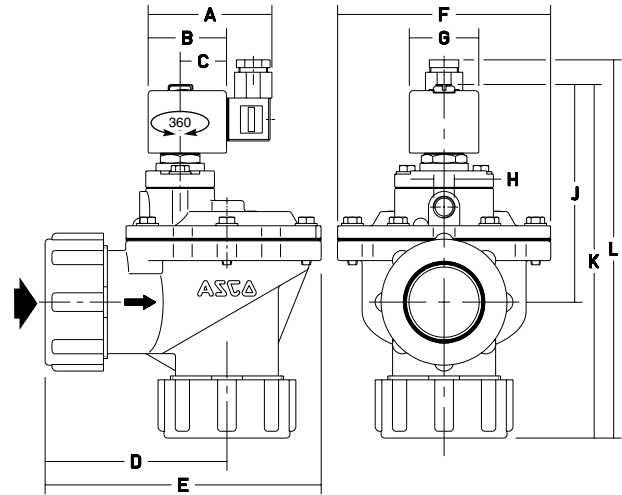


Fig. 2: Compression type fitting - aluminium

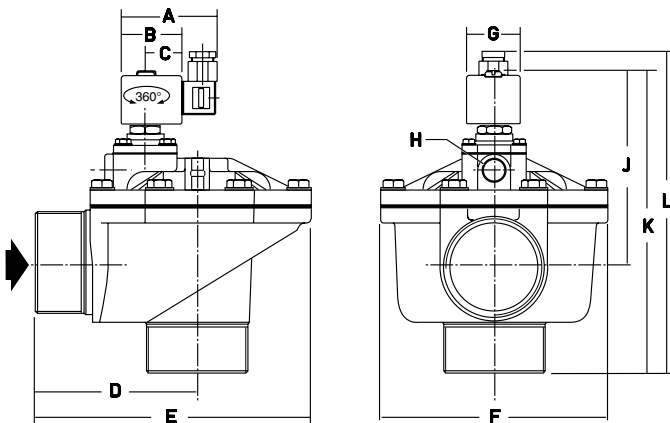


Fig. 3: External threaded type - aluminium

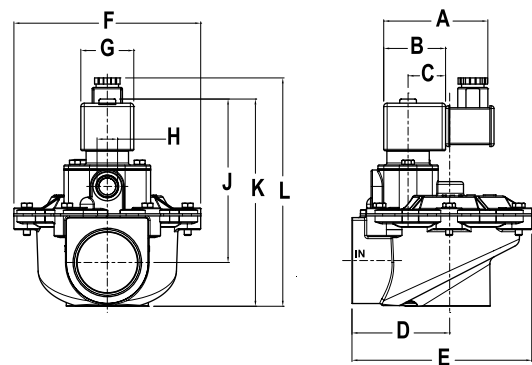


Fig. 4: Threaded pipe connection - stainless steel

catalogue number	A	B	C	D	E	F	G	H	J	K	L	weight (1)	(C)
SC(DU)G353A047	80	50	30	71	130	136	45	G 3/8	131	161	178	1,4	Fig. 1
SC(DU)G353A050	80	50	30	95	168	165	45	G 3/4	165	210	227	2,9	Fig. 1
SC(DU) G353-051	80	50	30	95	168	165	45	G 3/4	165	210	227	2,6	Fig. 1
SC(DU) G353-060	80	50	30	143	240	192	45	G 1/2	165	258	275	4,1	Fig. 2
SC(DU)G353A065	80	50	30	117	177	136	45	G 3/8	131	225	242	1,75	Fig. 3
SC(DU)G353A134	80	50	30	71	130	136	45	G 3/8	131	161	178	2,5	Fig. 4

(1) Incl. coil and connector

(C) Construction type

All leaflets are available on: www.asconumatics.eu